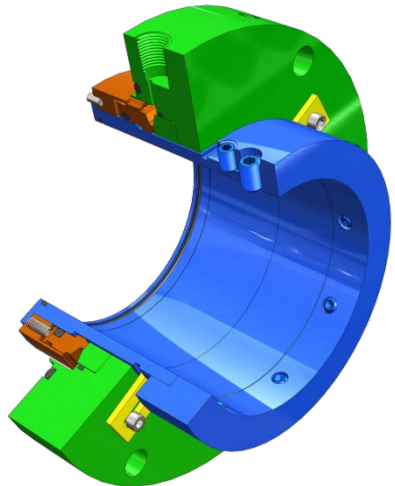
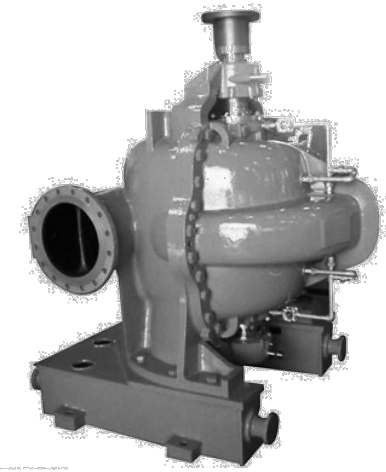


Tori Seal Mechanical Seal Case Histories

Chilled Water Pump

Region:	South East Asia
Plant Type:	District Cooling Water
Pump Model:	Ebara Vertical Double Suction Split Case Pump
No. of Pumps:	7
Delivery Date:	March 2016
Service:	Chilled Water Pump
Liquid:	Chilled Water
Pumping Temperature:	0-50°C
Flow Rate:	Unknown
Total Head:	Unknown



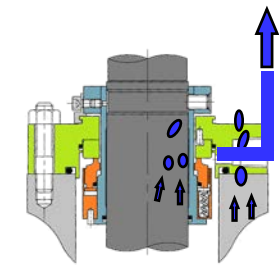
Seal Type:	MB2704 Rotating Balanced Cartridge Seal
Seal Code:	MB2704NZ52HL090
Shaft Size:	90mm
Metallurgy:	304SS Stainless Steel
Face Materials:	Carbon/ Silicon Carbide
Elastomers:	Viton
Seal Pressure:	20.22-18.36 kg/cm ² G
Pump Speed:	1,490 rpm
Face Velocity:	4,7 m/s
API Plan:	13 (Reverse Flushing)



Tori Seal Mechanical Seal Case Histories

The Tori Seal offered had to compete with two other seal manufacturers, one of which is a large world renowned mechanical seal company (supplier of the existing seal). In addition to the seal quality which could not be a compromise, the price and delivery times were compared.

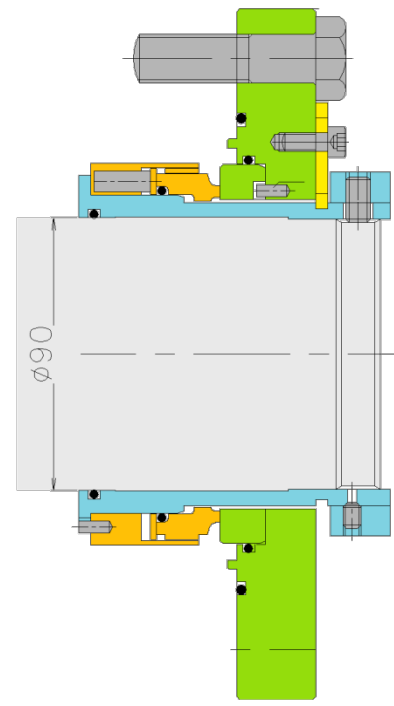
Tori Seal was able to offer a more price competitive seal whilst meeting the customer's delivery requirements. Furthermore, all existing seal dimensions were taken into account therefore no modifications were required to the pump and the new seal fitted straight into the stuffing box.



Plan 13
Reverse
Flushing



Tori Seal MB2704



Tori Seal MB2704



Tori Seal MB2704



TORI SEAL

Over Half a Century of Sealing Reliability

