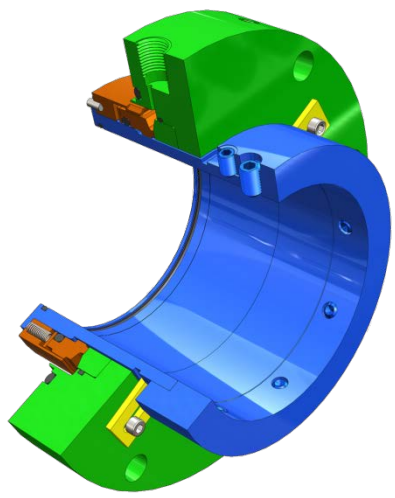
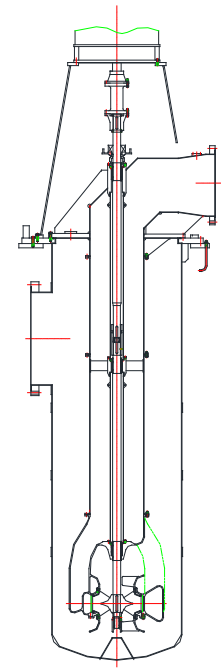


# Tori Seal Mechanical Seal Case Histories

## Hotwell Pump

Region:	<i>Europe</i>
Plant Type:	<i>Geothermal Power Plant</i>
Pump Model:	<i>CDKTV Vertical Double Suction Pump</i>
No. of Pumps:	<i>4</i>
Delivery Date:	<i>June 2016</i>
Service:	<i>Hotwell</i>
Liquid:	<i>Geothermal Condensate</i>
Pumping Temperature:	<i>40.9°C</i>
Flow Rate:	<i>6,700 m<sup>3</sup>/hr</i>
Total Head:	<i>24.5 mtrs</i>



Seal Type:	<b><i>MB2704 Rotating Balanced Cartridge Seal</i></b>
Seal Code:	<b><i>MB2704DN55LL125</i></b>
Shaft Size:	<b><i>125mm</i></b>
Metallurgy:	<b><i>316L Stainless Steel</i></b>
Face Materials:	<b><i>Silicon Carbide/Silicon Carbide</i></b>
Elastomers:	<b><i>Viton</i></b>
Seal Pressure:	<b><i>2.5 – 3.5 barG</i></b>
Pump Speed:	<b><i>590 rpm</i></b>
Face Velocity:	<b><i>4,7 m/s</i></b>
API Plan:	<b><i>13 (Reverse - during operation) 32 (External - during startup and standby)</i></b>



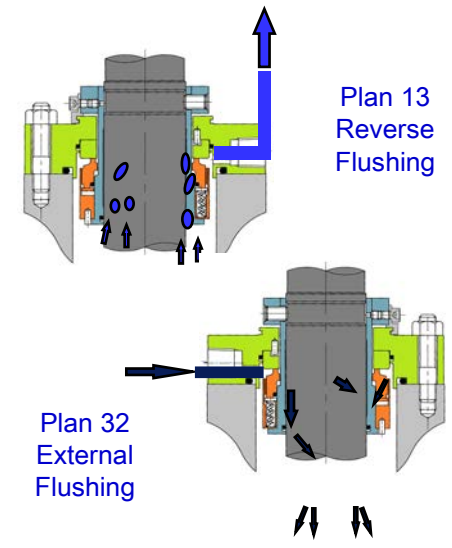
# Tori Seal Mechanical Seal Case Histories

The cost and delivery of the existing seals were high and long. Tori Seal was able to offer a zero modifications retrofit into the existing stuffing box without any pump modifications required.

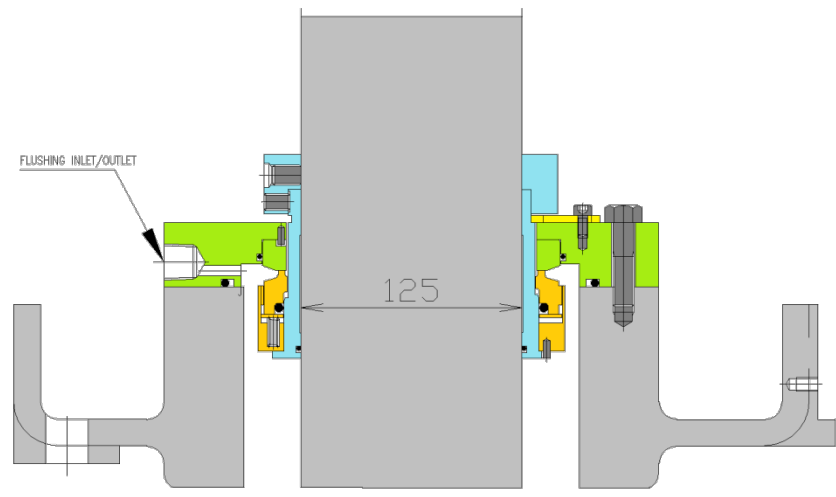
The materials offered were intended to match or improve the existing seal's materials and handle the application's speed, temperature and pressure parameters.

The cost comparison was one of the major benefits for the customer. The Tori Seal MB2704's price was 77% of the existing seal which resulted in huge savings for the customer.

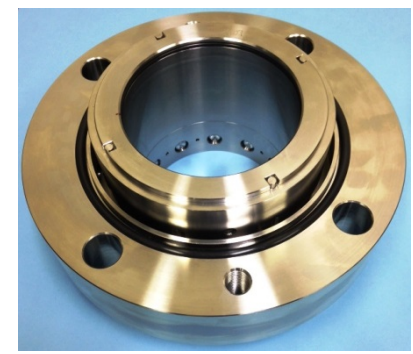
In addition, the target was to offer the customer an improved lead time.



Tori Seal MB2704



Tori Seal MB2704



Tori Seal MB2704



**TORI SEAL**

*Over Half a Century of Sealing Reliability*

