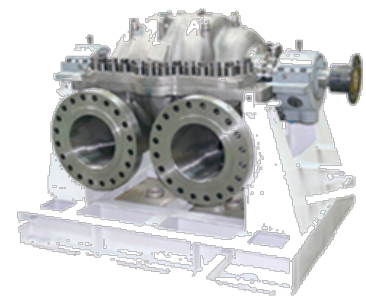
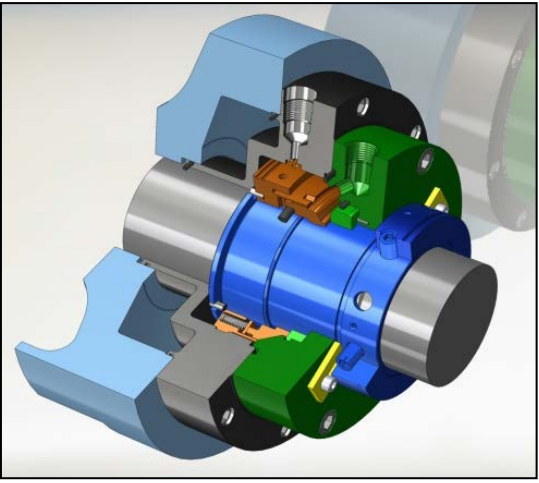
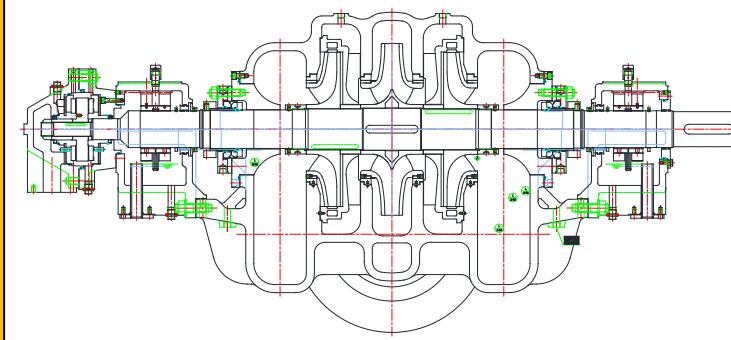


# Tori Seal Mechanical Seal Case Histories

## High Pressure RO Pump



Region:	Middle East
Plant Type:	RO Desalination Plant
Pump Model:	MSH300/2T Horizontal Multi-Stage Pump
No. of Pumps:	10
Delivery Date:	2016
Service:	High Pressure RO
Liquid:	Sea Water
Pumping Temperature:	22-40°C
Flow Rate:	1,455 m <sup>3</sup> /hr
Total Head:	549 mtrs



Seal Type:	<b>MT2706 Rotating Balanced Cartridge Seal</b>
Seal Code:	MT2706HN1ADL110
Shaft Size:	110mm
Metallurgy:	Super Duplex Stainless Steel
Face Materials:	Carbon/Silicon Carbide
Elastomers:	Viton
Seal Pressure:	12.8 – 17.4 barG
Pump Speed:	2,980 rpm
Face Velocity:	20 m/s
API Plan:	11 (Self)



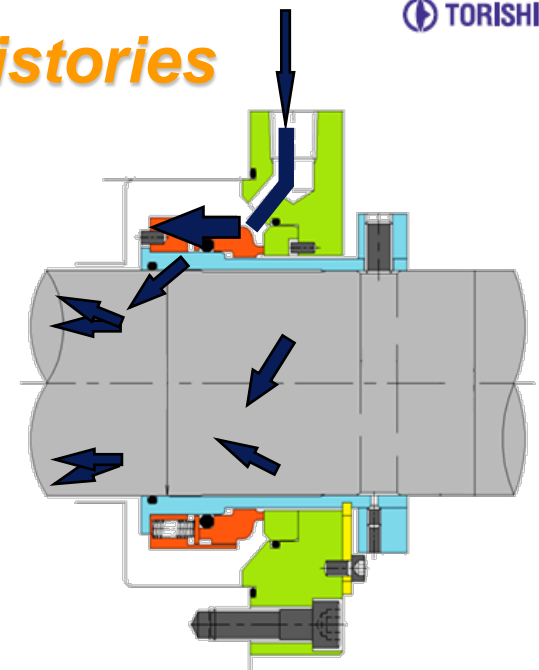
# Tori Seal Mechanical Seal Case Histories

The seals which were originally installed were extremely costly due to high after sales spares prices charged by various seal manufacturers. In addition, the use of a non-standard seal cover adaptor created more potential leak paths.

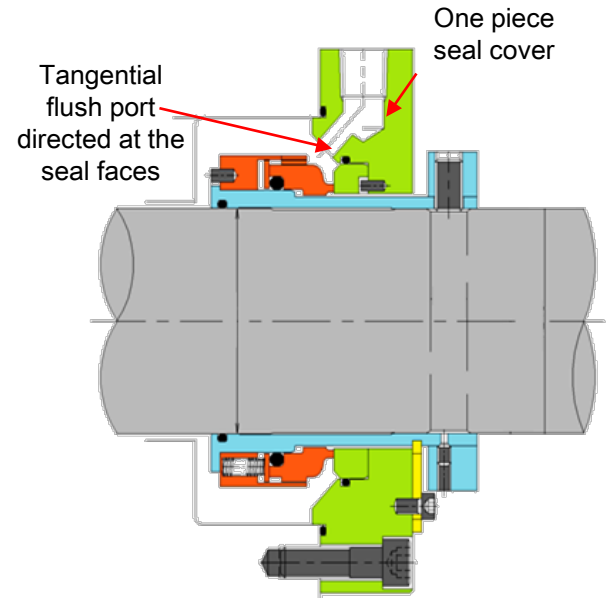
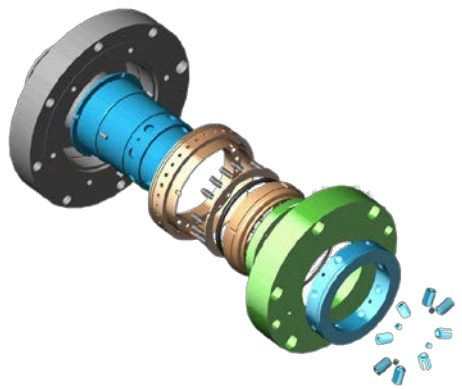
Tori Seal was able to offer a 'one piece' seal cover to retrofit into the existing stuffing box without any pump modifications required. The tangential flush directed at the seal faces also propagates better flushing fluid circulation, therefore more efficient face cooling and better face lubrication.

The materials offered were Super Duplex Stainless steel to match the existing seal's materials and handle the corrosive sea water.

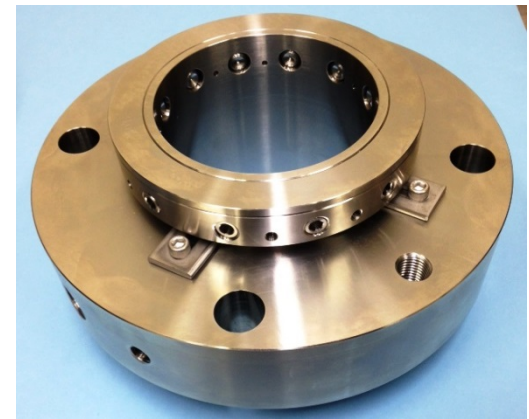
Whilst being able to offer the same materials, the cost comparison was one of the major benefits for the customer. The Tori Seal MT2706's price was 44% of the existing seal which resulted in huge savings for the customer.



Plan 11 Self Flushing



Tori Seal MT2706



Tori Seal MT2706



**TORI SEAL**

Over Half a Century of Sealing Reliability

