



East Asia

1 Torishima Pump Mfg. Co., Ltd. ■ ■
1-1-8 Miyata-cho, Takatsuki-city, Osaka 569-8660 Japan
Tel : +81-72-690-2308 / Fax : +81-72-690-2329

2 Kyushu Torishima Co., Ltd. ■
9857-13, Ohaza Kawako, Wakagi-cho, Takeo-city,
Saga 840-0813 Japan
Tel : +81-954-26-3081 / Fax : +81-954-26-3080

**3 Torishima Pump Mfg. Co., Ltd.
Beijing Office**
Rm707, Building 1, KUNSHA CENTER,
No.16 Xinyuanli, Chaoyang District,
Beijing, P.R.China PC:100027
Tel : +86-10-84682891 / Fax : +86-10-84682890

4 Torishima Pump (Tianjin) Co., Ltd. ■ ■
No.9 Gaoxin Road, Wuqing Development Zone,
Tianjin, P.R.China PC:301700
Tel : +86-22-59695601 / Fax : +86-22-59695609

5 Torishima (Hong Kong) Ltd.
Unit A, 21/F., Tower A, Billion Centre, 1 Wang Kwong
Road, Kowloon Bay, Kowloon, Hong Kong
Tel : +852-2795-1838 / Fax : +852-2754-3293

South East Asia

**6 Torishima Pump Mfg. Co., Ltd.
Singapore Office**
82 Toh Guan Road East, #C2-14-4 WaterHub,
Singapore 608576
Tel : +65-6779-0123 / Fax : +65-6779-6900

**7 Torishima Service Solutions
Asia Pte. Ltd.** ■
48, Toh Guan Road East, #02-142,
Enterprise Hub, Singapore 608586
Tel : +65-6933-8772 / Fax : +65-6933-8777

8 P.T. Torishima Guna Engineering ■

9 P.T. Torishima Guna Indonesia ■
Jalan Rawa Sumur Timur No.1 Pulogadung
Industrial Estate, P.O.Box 1160, Jakarta, Indonesia
Tel : +62-21-460-3963 / Fax : +62-21-460-3937

10 P.T. Geteka Founindo ■
JL Pulo Ayang Kav. AA2 Pulogadung Industrial
Estate, P.O.Box 1160 JAT, Jakarta 13011 Indonesia
Tel : +62-21-460-3963 / Fax : +62-21-460-3937

11 Torishima Service Solutions (Thailand) Ltd. ■
181/2 Moo 1, Soi Bancha, Suksawad Road, Pakklong Bangplakod,
Prasamutjedi, Samutprakarn 10290, Thailand
Tel : +66-2-408-3528 / FAX : +66-2-408-3529

South Asia

12 Torishima Pumps (India) Pvt. Ltd.
302 & 302A, 3rd Floor, Tower-B, Millennium Plaza,
Sector27 Gurgaon-122002, Haryana, India
Tel : +91-124-4728950 / Fax : +91-124-4728950

**13 Torishima Pumps (India) Pvt. Ltd.
Service Division** ■
Plot No. 27 B, C, D, Hoskote KIADB Industrial Area,
Chokkahalli Village, Kasaba Hobli, Hoskote Taluk,
Bangalore-562114, Karnataka, India
Tel : +91-80-39581000 / Fax : +91-80-39581010

Oceania

14 Torishima Australia Pty. Ltd.
643-645 Glenhuntly Road, Caulfield South
VIC 3162 Australia
Tel : +61-3-9523-7998

Middle East

15 Torishima Service Solutions FZCO ■
Plot of Land TP010501 National Industries Park
(Techno Park)-Jebel Ali, PO Box. 37603 Dubai,
U.A.E.
Tel : +971-4-880-7344 / Fax : +971-4-880-7354

**16 Torishima Pump Mfg. Co., Ltd.
Middle East Project Office**
Office No.901, Deluxe Tower, Delma Street,
Al Nahyan Camp Area, P.O.Box 53567,
Abu Dhabi, U.A.E.
Tel : +971-2-674-3880 / Fax : +971-2-674-3881

**17 Torishima Pump Mfg. Co., Ltd.
Qatar Project Office**
Office No.11,1st Floor, West Corner Centre,
Salwa Road-Midmac R/A, P.O.Box 37027 Doha, Qatar
Tel : +974-4450-6915 / Fax : +974-4450-6916

**18 Torishima Pump Mfg.Co.,Ltd.
Saudi Arabia Office**
Al Riyadh, Al Khair Plaza, Office No.2
Al Amir Muhd IBN A.A. Road, Althalea,
SP-643351929, Kingdom of Saudi Arabia
Tel : +966-1-1293-1366

19 Torishima Service Solutions Saudi Arabia Ltd. ■
Dammam, 2nd Industrial City, Road # 148- Cross # 81,
PO Box 31952 Al Khobar, Kingdom of Saudi Arabia
SP-643351929, Kingdom of Saudi Arabia
Tel : +966-3-887-1500

Europe

20 Torishima Europe Ltd.
Duart House, Finch Way, Strathclyde Business Park,
Bellshill, North Lanarkshire ML4 3PR Scotland, U.K.
Tel : +44-1236-443951 / Fax : +44-1236-702875

**21 Torishima Service Solutions
Europe Ltd.** ■
Unit 3, M8 Interlink, Kirkshaws Road, Coatbridge
ML5 4RP Scotland, U.K.
Tel : +44-1236-442390 / Fax : +44-1236-702875

22 Torishima Europe Projects Ltd.
Torishima House, Brook Lane, Westbury,
Wiltshire BA13 4ES England, U.K.
Tel : +44-1373-858143

23 Torishima Europe Ltd. Madrid Office
Avda, Fuente Nueva 12A, 28703San
Sebastian de los Reyes, Madrid, Spain
Tel : +34-91-002-7541 / Fax : +34-91-284-6901

North America

**24 Torishima Pump Mfg. Co., Ltd.
North America East Office**
100 Grove Street, Suite 217, Worcester
MA 01605-2654 U.S.A.
Tel : +1-508-753-6600 / Fax : +1-508-753-8276

Central America

25 Torishima Europe Ltd. Mexico Office
Av Paseo de La Reforma 350,11th floor,
Juárez,Cuauhtémoc, 06600
Ciudad de México,D.F., México
Tel : +52-55-9171-1426 / Fax : +52-55-9171-1499

■ Manufacturing ■ Service Center



Pumps for Power Plant

Innovative Pumping Solutions to Power Industry

The demand for energy continues to increase around the globe with particularly high growth rates and rapid economic expansion in the Indian subcontinent and many parts of Asia. As a result, the number of new and refurbished power plants will increase to meet this demand.

Torishima is well placed to provide a full range of pumps designed for the applications needed within the power industry from small combined cycle to large super critical thermal stations. We are able to supply boiler feed pumps, boiler circulation pumps, circulating water pumps and condensate extraction pumps as well as a range of auxiliary duties. Torishima pumps have been installed globally in this market.

Research & Development

Energy demand continues to increase globally, however taking into account the need to also conserve power, Torishima's objective is to produce high efficiency pumping equipment. Torishima continues to invest in R & D to meet such objectives, developing high technology equipment with high reliability whilst keeping our environmental commitments.

Service Solutions

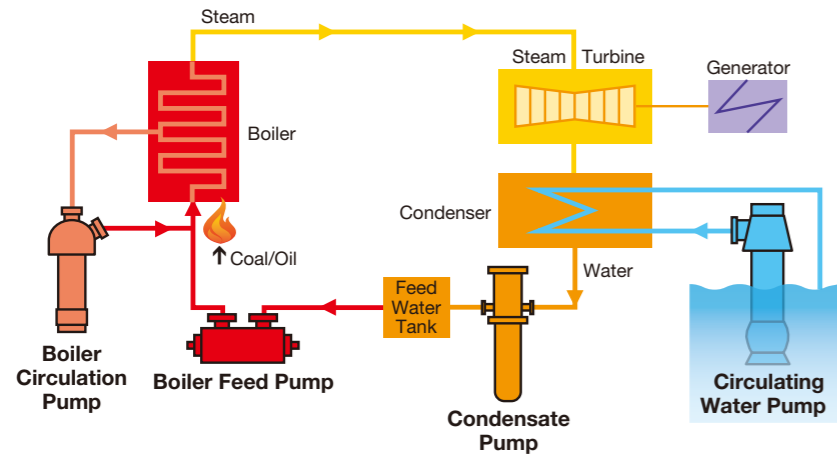
Torishima has an large installed base with pumps located throughout the world. We are conscious that we must provide a reliable service support for our clients, to this end we have a network of service facilities located in key areas providing access to both spare parts and innovative service solutions.

750MW combined cycle power plant,
Muara Karang, Indonesia



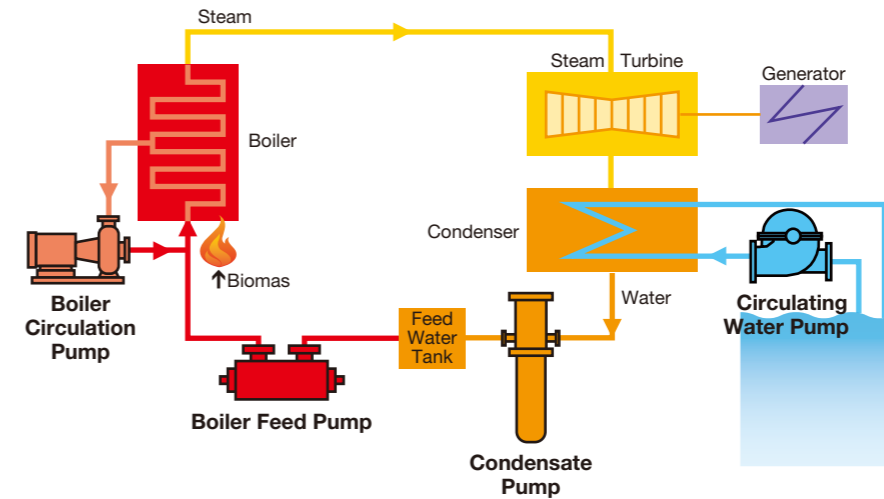
Power Generation Systems and Main Pumps

Steam Power Generation

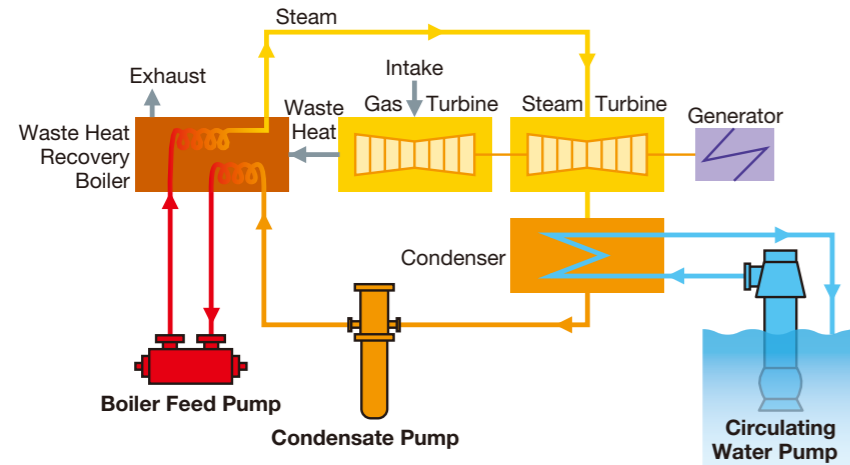


Balance of Plant (BOP) for the pumping facility of power plants

Biomass Power Generation

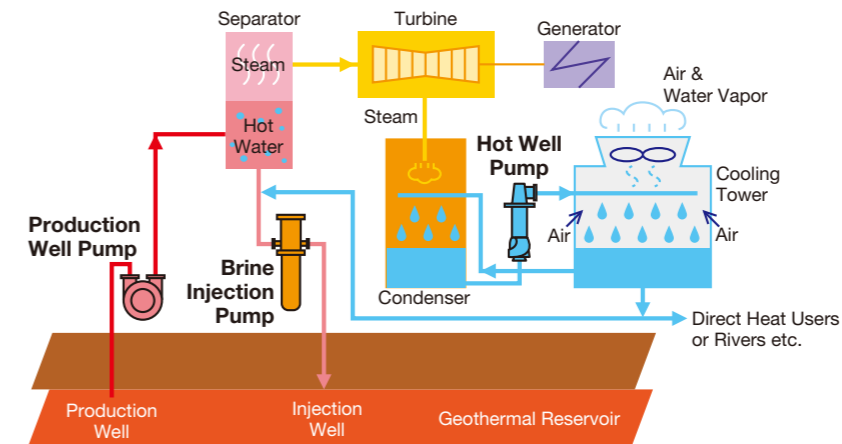


Combined Cycle Power Generation



Shin-Nagoya Combined Cycle Power Plant, Japan

Geothermal Power Generation



Hatchoubaru Geothermal Power Plant, Japan

Application Chart (Steam, Combined Cycle, and Biomass Power Plants)

Products	MHG-A / MHG / MHB / MHD / MHA / MMK / MML	HLV / HLAV / CPR / CPW / CHR	MMTV	CDM	CDKY	CDMV / SPV
Applications						
Boiler Feed Pump	●					
Boiler Circulation Pump		●				
Condensate Pump			●			
Boiler Feed Booster Pump				●	●	
Cooling Water Pump				●		●

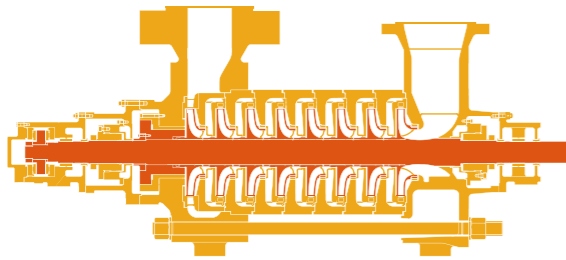
Application Chart (Geothermal Power Plant)

Products	CDKS / MMTV	CDKTV / SPTV
Applications		
Brine Injection Pump / Production Well Pump / Circulating Pump	●	
Hot Well Pump		●

MHG-A

Horizontal multistage ring section pump

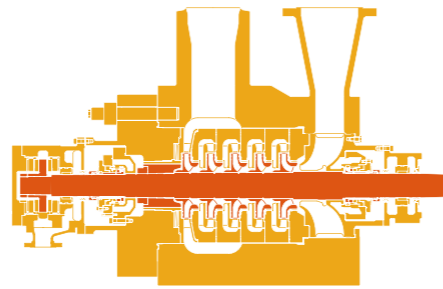
Capacity : up to 900m³/h (3,960USgpm)
 Total Head : up to 2,500m (8,200ft)
 Operating Temp. : up to 200°C (390°F)
 Operating Pres. : up to 40.5MPa (405bar, 5,870psi)
 Speed : up to 3,600min⁻¹
 Size : up to 300mm (12in)



MHB

Radially split multistage barrel casing pump

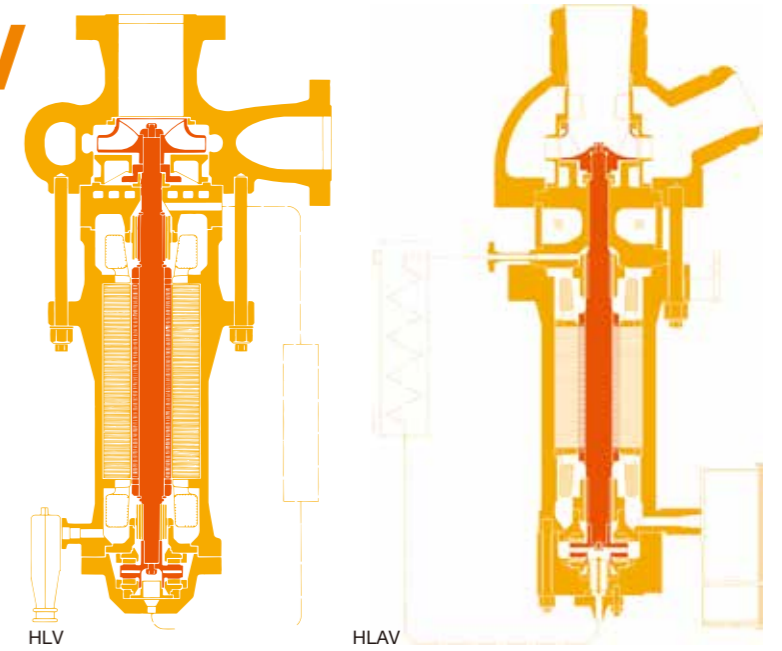
Capacity : up to 2,000m³/h (8,800USgpm)
 Total Head : up to 4,200m (13,800ft)
 Operating Temp. : up to 200°C (390°F)
 Operating Pres. : up to 42MPa (420bar, 6,090psi)
 Speed : up to 7,000min⁻¹
 Size : 80 to 200mm (3 1/5 to 8in)



HLV / HLAV

Glandless (sealless) pump motor unit

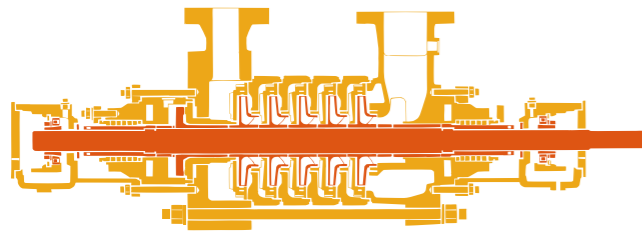
Capacity : up to 6,840m³/h (30,110USgpm)
 Total Head : up to 320m (1,000ft)
 Operating Temp. : -10 to 420°C (-40 to 788°F)
 Operating Pres. : up to 33MPa (330bar, 4,790psi)
 Speed : up to 3,600min⁻¹
 Motor Rating : up to 1,500kW
 Voltage : 400V to 11kV
 Size : 40 to 400mm (1 2/3 to 16in)



MHG

Horizontal multistage ring section pump

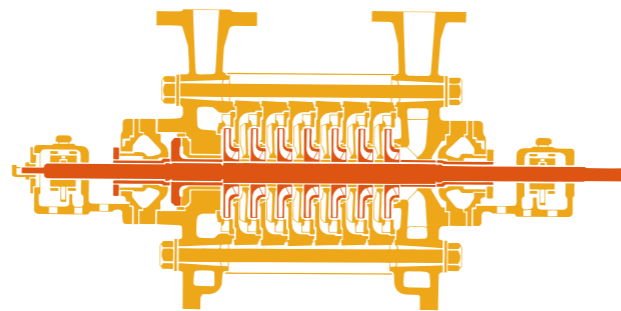
Capacity : up to 1,400m³/h (6,100USgpm)
 Total Head : up to 4,200m (13,780ft)
 Operating Temp. : up to 200°C (390°F)
 Operating Pres. : up to 36MPa (360bar, 5,220psi)
 Speed : 7,000min⁻¹
 Size : 40 to 250mm (1 2/3 to 10in)



MHD

Horizontal, end suction, multistage ring section pump

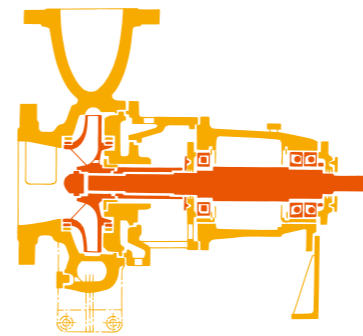
Capacity : up to 300m³/h (1,320USgpm)
 Total Head : up to 1,200m (3,940ft)
 Operating Temp. : up to 180°C (356°F)
 Operating Pres. : up to 14MPa (140bar, 2,045psi)
 Speed : up to 3,600min⁻¹
 Size : 80 to 200mm (3 to 8in)



CPR

End-suction volute pump

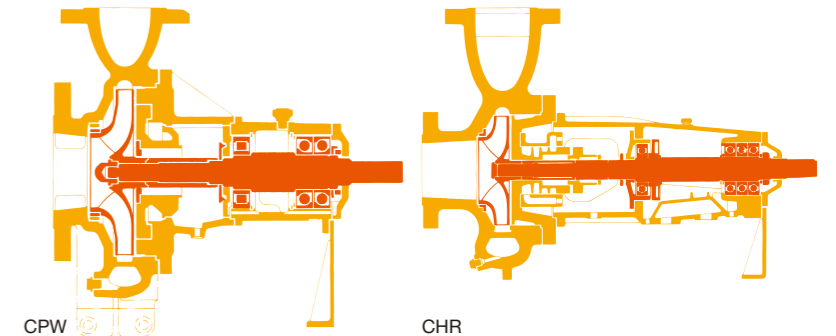
Capacity : up to 2,400m³/h (10,560USgpm)
 Total Head : up to 270m (885ft)
 Operating Temp. : -70 to 400°C (-158 to 752°F)
 Operating Pres. : up to 4MPa (40bar, 580psi)
 Speed : up to 3,600min⁻¹
 Size : 25 to 400mm (1 to 16in)



CPW / CHR

End-suction volute pump

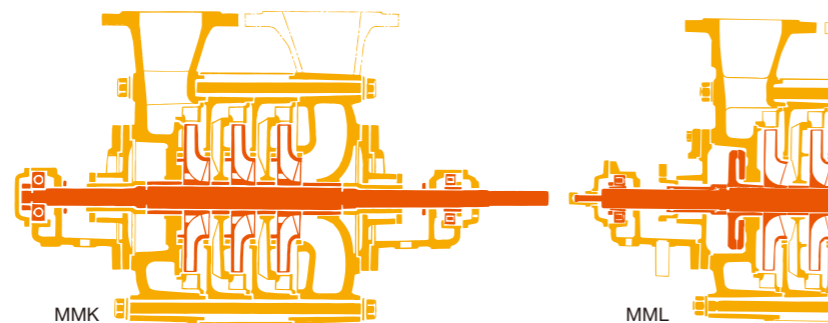
Capacity : up to 1,940m³/h (8,549USgpm)
 Total Head : up to 200m (670ft)
 Operating Temp. : up to 325°C (615°F)
 Operating Pres. : up to 10.8MPa (108bar, 1,560psi)
 Speed : up to 3,600min⁻¹
 Size : 40 to 300mm (1 1/2 to 12in)



MMK / MML

Horizontal multistage ring section pump

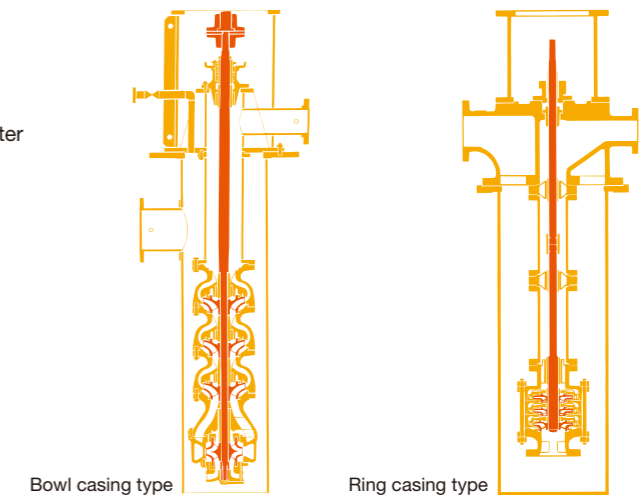
Capacity : up to 1,000m³/h (4,400USgpm)
 Total Head : up to 500m (1,640ft)
 Operating Temp. : -10 to 230°C (-18 to 446°F)
 Operating Pres. : up to 6.3MPa (63bar, 914psi)
 Speed : up to 4,500min⁻¹
 Size : 40 to 350mm (1 2/3 to 14in)



MMTV

Vertical mixed-flow multistage pump with canister

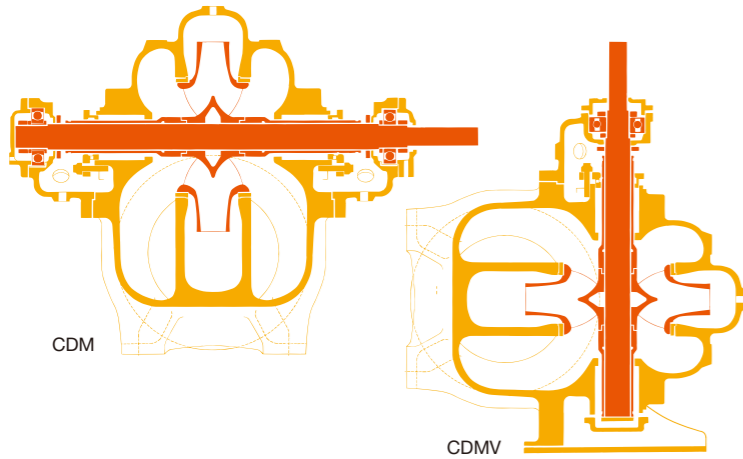
Capacity : up to 2,900m³/h (12,770USgpm)
 Total Head : up to 390m (1,280ft)
 Operating Temp. : up to 200°C (392°F)
 Operating Pres. : up to 3.9MPa (39bar, 565psi)
 Speed : up to 1,800min⁻¹
 Size : 40 to 400mm (1 1/2 to 16in)



CDM

Horizontal axially split double-suction pump

Capacity : up to 33,000m³/h (145,200USgpm)
 Total Head : up to 300m (980ft)
 Operating Temp. : up to 80°C (176°F)
 Speed : up to 3,600min⁻¹
 Size : 200 to 1,400mm (8 to 55in)



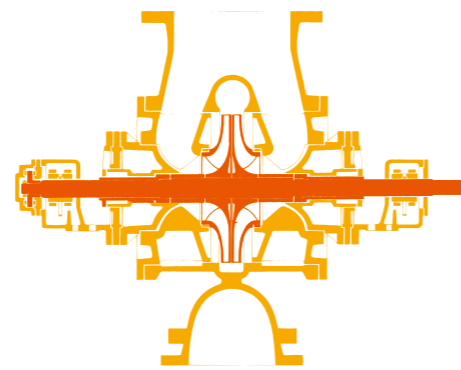
CDMV

Vertical axially split double-suction pump

CDKY / CDKS

Horizontal radially split double-suction pump

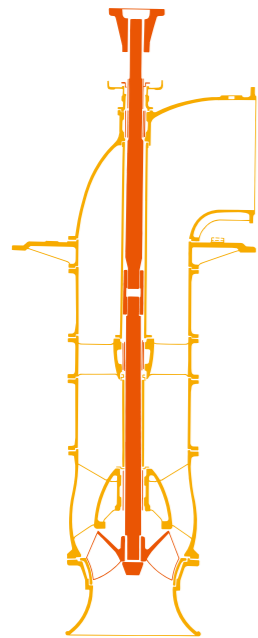
Capacity : up to 2,800m³/h (12,300USgpm)
 Total Head : up to 300m (980ft)
 Operating Temp. : up to 200°C (390°F)
 Operating Pres. : up to 5MPa (50bar, 725psi)
 Speed : up to 3,600min⁻¹
 Size : 200 to 450mm (8 to 18in)



SPV

Vertical mixed-flow pump

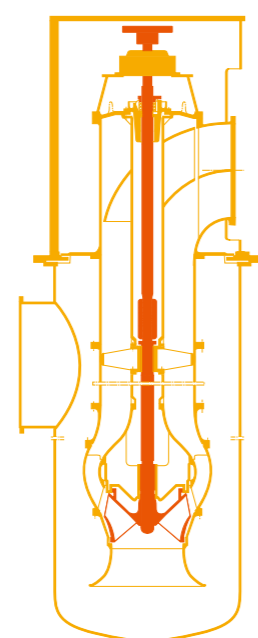
Capacity : up to 81,600m³/h (360,000USgpm)
 Total Head : up to 100m (328ft)
 Operating Temp. : up to 80°C (176°F)
 Operating Pres. : up to 1MPa (10bar, 145psi)
 Speed : up to 1,800min⁻¹
 Size : 300 to 2,800mm (12 to 110in)



SPV

SPTV

Vertical mixed-flow pump with canister

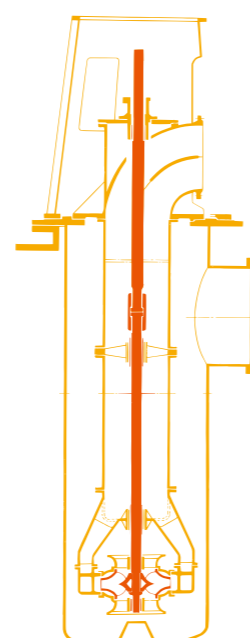


SPTV

CDKTV

Vertical double-suction pump with canister

Capacity : up to 20,000m³/h (87,180USgpm)
 Total Head : up to 100m (328ft)
 Operating Temp. : up to 100°C (210°F)
 Speed : up to 1,800min⁻¹
 Size : 500 to 1,500mm (20 to 60in)



References



Chhabra Supercritical Coal Fired Power Plant
 2 x 660MW, India
 MHB barrel type boiler feed pump [15MW drive, 50% duty]



Elbistan B Coal Fired Power Plant
 4 x 360MW, Turkey
 MHB barrel type boiler feed pump [12.6MW drive, 100% duty]



Fujairah Combined Cycle Power Plant, 3 x 660MW, U.A.E.
 MHG ring section boiler feed pump



Keys Energy Center Combined Cycle Power Plant, 1 x 755MW, U.S.A.
 MHG ring section boiler feed pump



Vung Ang Coal Fired Power Plant
 2 x 600MW, Vietnam
 SPV cooling water pump



Altamira II Combined Cycle Power Plant
 1 x 495MW, Mexico
 MMTV condensate pump



KSK Coal Fired Power Plant
 6 x 660MW, India
 HLAV spherical casing boiler circulation pump



Germencik Geothermal Power Plant
 45MW, Turkey
 CDKTV hot well pump

Europe

Ireland • Huntstown • Tynagh • Great Island • Kilroot • Whitegate	Latvia • Riga	Turkey • Elbistan • Kangal • IC Anadolu • Cayirhan • Denizli • Zetes • Samsun • Bekirli • Kizildere * • Germencik *
England • RWE npower • Isle of Grain • Staythroe	Greece • Thiva • Megalopolis	France • CyCoFos

Russia, Central & South Asia

Russia • Shatura • Sugres • Novocherkasskaya	India • Auraiya • Gandhar • Mundra • Aravalli • KSK • Samalkot • Maithon • Unchahar • Suratgarh • Chhabra
Uzbekistan • Navoi" • Tashkent"	Georgia • Gardabani
Pakistan • Bin Qasim" • Kot-Addu"	

Americas

USA • Elm Road • Longview • Soutncentral • Duke • Mojava • Newark • Georgia • Woodbridge • Council Bluffs	Canada • Halton Hills • Queen Elizabeth • Napanee • Greater Toronto • Portlands	Mexico • Pacifico • Petacalco • Tuxpan • Altamira • Chihuahua • Cherro Pieta • Intergen	Argentina • Vuelta De Obligado	Peru • Fenix
Brazil • Fortaleza • Parnaiba	Nicaragua • Polaris *	Dominican • Los Mina	Chile • Guacolda • Endesa • Angamos • Cochrane	Colombia • Tasajero

* Geothermal Power Plant

Torishima has been providing pumps for power plants around the world for 50 years.

Middle East & Africa

Algeria • Hadjret En Nouss	Kuwait • Sabiya • Doha
Iran • Mapna • Gharb	Saudi Arabia • Rabigh • Zhuhai • Qurayyah • Shuqaiq • Shoaiba • Ras Al Khair
Iraq • Erbil • Suleymaniyah • Duhouk	Jordan • Samra
Syria • Al-Zara • Jandar • Deir Ali	UAE • Fujairah
Qatar • Mesaieed • Ras Abu Fontas A2 • Umm Al Houk	Oman • Baraka

South East Asia & Oceania

Philippines • Mindanao • Limay Battan • Batangas • Toledo • Iloilo • Southern Mindanao • Therma South • Pagbilao • APEC	Thailand • Ratchaburi (SPP) • Bangpa-in (SPP) • Amata Bangkok (SPP) • Gulf JP (SPP) • EGAT	Indonesia • Muara Karang • Kendari • Tanjung Puriok • North Molucca • PLN Paiton • Perak • Chevron *	Viet Nam • Ca Mau • Nhon Trach1&2 • Vung Ang1 • Omon • Phu My1 • Vung Ang1 • Mong Dong
Singapore • Tuas	Malaysia • Prai • Sultan Ismail • Jimah • Pasir Gudang • Port Dickson	Brunei • Tutong	Australia • Bluewater • Kogan Creek • Tamar Valley

East Asia

Japan • Hokkaido Electric • Tohoku Electric • Tokyo Electric • Chubu Electric • Hokuriku Electric • Kansai Electric • Chugoku Electric • Shikoku Electric • Kyushu Electric • Okinawa Electric • J-Power • Tokyo Gas • Osaka Gas	China • Dailian • Fuzhou • Shenzhen East • Beijing Thermal • Sidongkou • Xiamen East • Zhijin • Shenhua Shendong
Taiwan • Dha-Tan • Linkou • Talin • Hsinta • Tunghsiao	Korea • Pusan • Puchon • Ulsan • Yonghung • Tangjin • Sejong • Peyon Taek • Incheon
	Hong Kong • Lamma