

Global Network



TORISHIMA PUMP MFG.CO.,LTD.

HEADQUARTERS ●●●●●
1-1-8 Miyata-cho, Takatsuki-city, Osaka 569-8660 Japan
Tel : +81-72-690-2308 / Fax : +81-72-690-2329

KYUSHU TORISHIMA ●●●●●
9857-13, Ohaza Kawako, Wakagi-cho, Takeo-city, Saga 840-0813 Japan
Tel : +81-954-26-3081 / Fax : +81-954-26-3080

TORISHIMA CHINA

BEIJING ●●●●●
Rm707, Building 1, KUNSHA CENTER,
No.16 Xinyuanli, Chaoyang District, Beijing,
P.R.China PC:100027
Tel : +86-10-84682891 / Fax : +86-10-84682890

TIANJIN ●●●●●
No.9 Gaoxin Road, Wuqing Development Zone,
Tianjin, China P. R
Tel : +86-22-59695600 / Fax : +86-22-59695600

TORISHIMA HONG KONG ●●●●●
Unit A, 21/F., Tower A, Billion Centre,
1 Wang Kwong Road, Kowloon Bay,
Kowloon, Hong Kong
Tel : +852-2795-1838 / Fax : +852-2754-3293

TORISHIMA VIETNAM ●●●●●
No.76 Bui Thi Xuan Street, Hai Ba Trung District,
Hanoi, Socialist Republic of Vietnam
Tel : +84-4-943-7880 / Fax : +84-4-943-7876

TORISHIMA SINGAPORE ●●●●●
30 Ubi Grescent #01-02 Ubi Techpark, Singapore 408566
Tel : +65-6779-0123 / Fax : +65-6779-6900

TORISHIMA MALAYSIA ●●●●●
Lot 19, 1st Floor Bangunan Ipmuda Jalan 13/2 46200
Petaling Jaya Selangor, Malaysia
Tel : +603-7960-5771 / Fax : +603-7960-5772

TORISHIMA INDONESIA

TORISHIMA GUNA ENGINEERING ●●●●●
Jalan Rawa Sumur Timur No.1
Pulogadung Industrial Estate,
P.O.Box 1160, Jakarta, Indonesia
Tel : +62-21-460-3963 / Fax : +62-21-460-3937

TORISHIMA GUNA INDONESIA ●●●●●
Jalan Rawa Sumur Timur No.1
Pulogadung Industrial Estate,
P.O.Box 1160, Jakarta, Indonesia
Tel : +62-21-460-3963 / Fax : +62-21-460-3937

GETEKA FOUNINDO ●●●●●
JL Pulo Ayang Kav. AA2 Pulogadung Industrial Estate,
P.O.Box 1160 JAT, Jakarta 13011 Indonesia
Tel : +62-21-460-3963 / Fax : +62-21-460-3937

TORISHIMA U.A.E.

MIDDLE EAST OFFICE ●●●●●
5th Floor Office No.503 Al Salmee Golden Tower
Electra Street, P.O.Box 53567, Abu Dhabi, U.A.E.
Tel : +971-2-674-3880 / Fax : +971-2-674-3881

DUBAI OFFICE ●●●●●
Office No.304 Building No.1979,
Ahmed S.A.Al Amri Baesha Area,
P.O.Box 283175, Dubai, U.A.E.
Tel : +971-4-430-9404 / Fax : +971-4-430-9403

AL AIN PROJECT OFFICE ●●●●●
Room 201&202, 2nd Floor, African and
Eastern Building, Defence Road,
P.O.Box 53567, Abu Dhabi, U.A.E.
Tel : +971-2-443-9478 / Fax : +971-2-443-9930

TORISHIMA

SERVICE SOLUTIONS ●●●●●
Room No.101.Commercial Bank of Dubai Building,
Al Quoz Industrial Area #3, P.O.Box 37603,
Dubai, U.A.E.
Tel : +971-4-330-6166 / Fax : +971-4-330-6163

TORISHIMA QATAR

Office No.11,1st Floor, West corner centre,
Salwa Road, P.O.Box 37027 Doha, Qatar
Tel : +974-4450-6915 / Fax : +974-4450-6916

TORISHIMA EUROPE

Sunnyside Works, Gartsherrie Rd,
Coatbridge, Scotland ML5 2DJ
Tel : +44-1236-443951 / Fax : +44-1236-702875

MADRID OFFICE

Avda, Fuente Nueva 12A Edif, Monterrey, 28703
San Sebastian de los Reyes, Madrid, Spain
Tel : +34-91-284-6900 / Fax : +34-91-284-6901

TORISHIMA SERVICE SOLUTIONS

EUROPE ●●●●●
Sunnyside Works, Gartsherrie Rd,
Coatbridge, Scotland ML5 2DJ
Tel : +44-1236-442390 / Fax : +44-1236-702875

TORISHIMA U.S.A.

100 Grove Street, Suite 217,
Worcester MA 01605-0000 U.S.A.
Tel : +1-508-753-6600 / Fax : +1-508-753-8276

- Sales
- Engineering
- Service
- Manufacturing

P16110-02/6E
'11.3.3000 ©

CDM

Double Suction Pump (Size : 600 to 1400mm)



 **TORISHIMA**

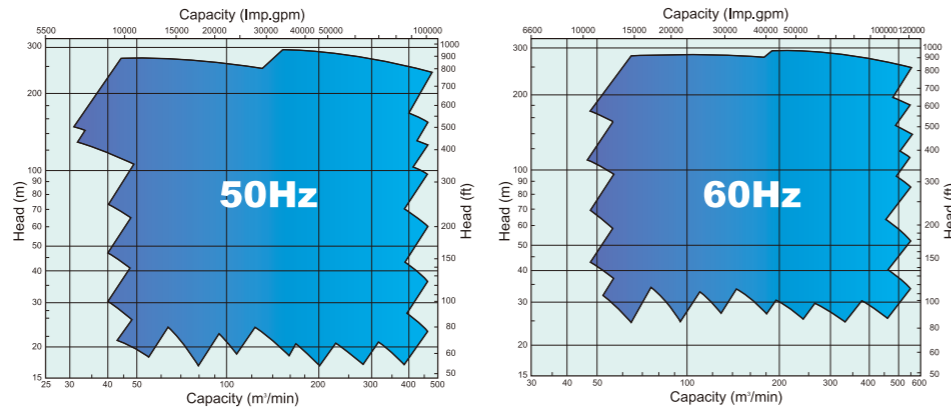
Axially Split Double Entry Pumps – Size : 600 to 1400mm –

API code-BB1

Torishima double suction pump CDM is designed with the most advanced hydraulic profiles providing less noise and vibration, wider operating range, lower NPSH and higher efficiency.

>> Performance Range

TDH : up to 300m (980ft)
 Flow : up to 550m³/min
 (121,000 USGPM)
 Handling Temp. : up to 80°C
 Flange size : 600 to 1400mm



>> Applications

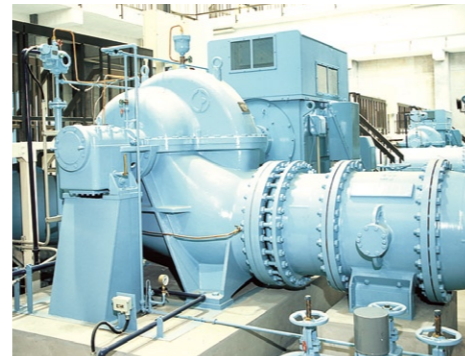
- Cooling water pump for Power Plant
- Seawater pump for Desalination Plant
- Intake, Boosting, Distributing for Water works
- Boosting for Pipeline

>> Handling Water

Fresh water, Industrial water, River water,
 Sea water, Crude oil, etc.

>> Materials

Cast iron, Ductile cast iron, Stainless steel,
 Duplex and Super Duplex stainless steel,
 Bronze (Impeller, sleeve), Carbon steel (Shaft)



Irrigation pump, Size : 800mm × 600mm,
 60m - 80m³/min - 900kW



UF Feed pump, Size : 900mm × 700mm,
 52m - 152m³/min - 1650kW



Potable water transmission pump, Size : 800mm × 500mm, 250m - 79m³/min - 4700kW

Design Features

Impeller

Double entry, hydraulically balanced to reduce axial thrusts and NPSH requirements.

Casing

Axially split with single or double volute. Upper half casing can be easily dismantled without disturbing pipework, contributing to easy maintenance.

Wearing Parts

Casing wear rings and shaft sleeves are easily replaceable for longer life span.

Suction & Discharge Flanges

International standard available

Shaft Seal

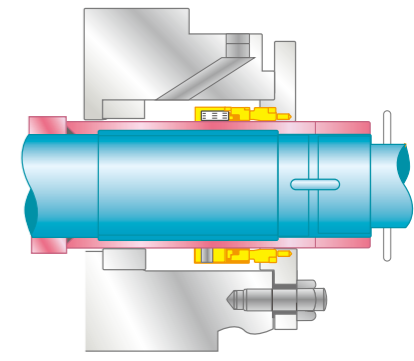
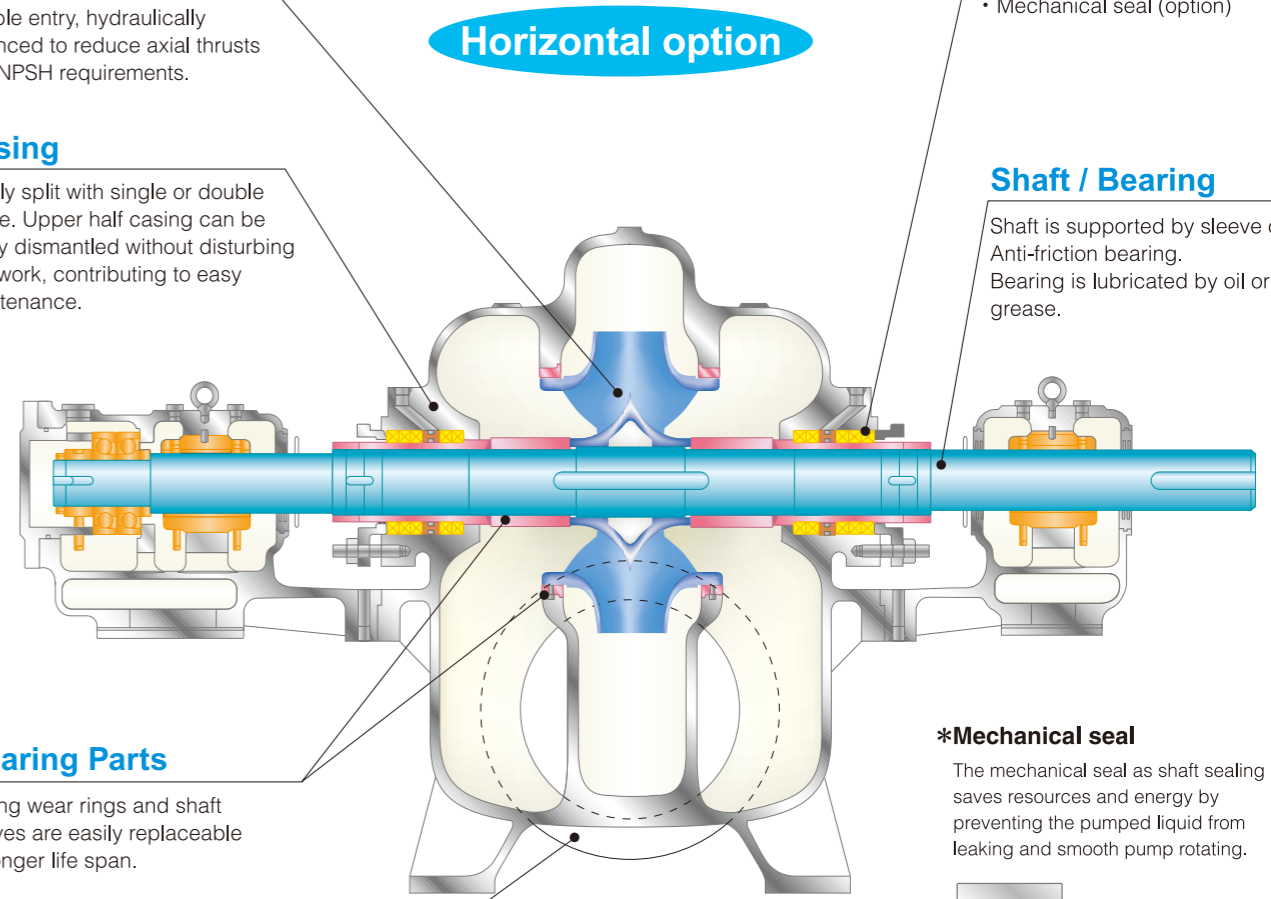
- Gland packing
- Mechanical seal (option)

Shaft / Bearing

Shaft is supported by sleeve or Anti-friction bearing. Bearing is lubricated by oil or grease.

*Mechanical seal

The mechanical seal as shaft sealing saves resources and energy by preventing the pumped liquid from leaking and smooth pump rotating.

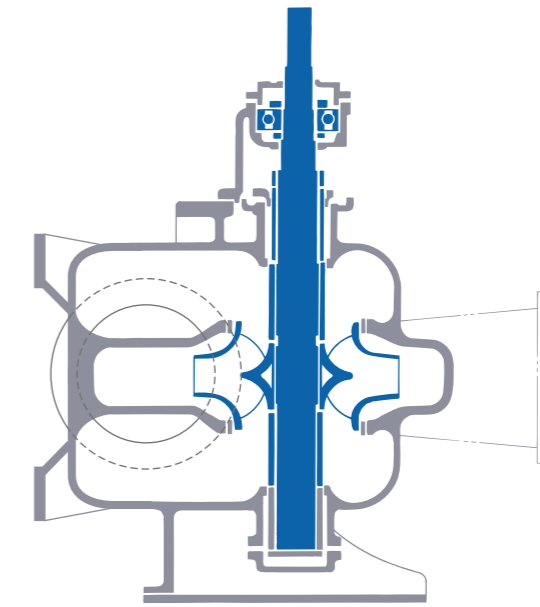


Vertical option

Single floor



Water distributing pumps
 Size : 700mm
 48m - 60m³/min - 650kW



Double floor



Water distributing pumps
 Size : 800mm
 100m - 111m³/min - 2500kW